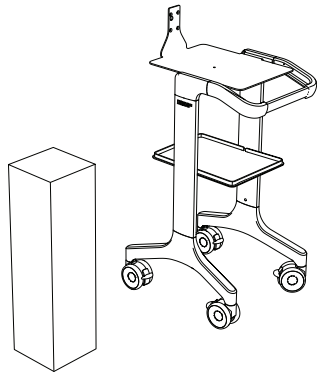
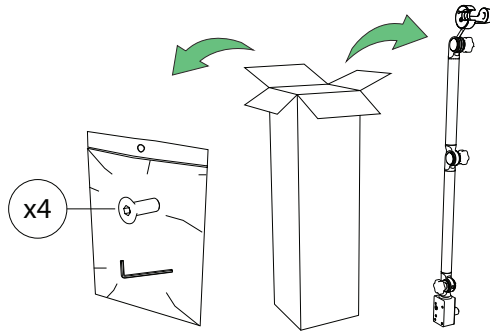


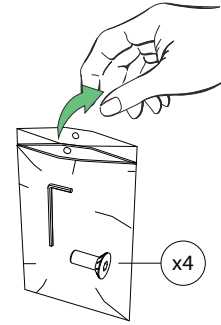
# ARM (DT-1004) for DolorClast® High Power Laser (FT-245)



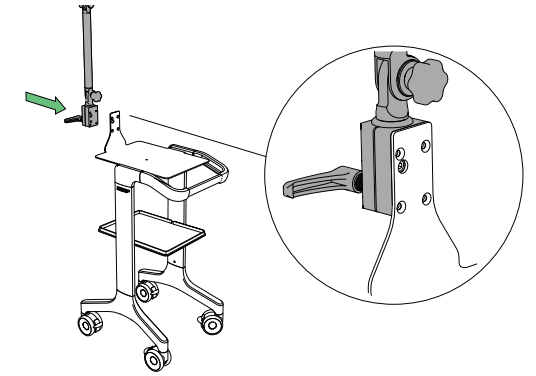
01



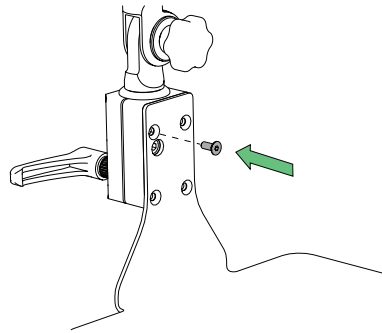
02



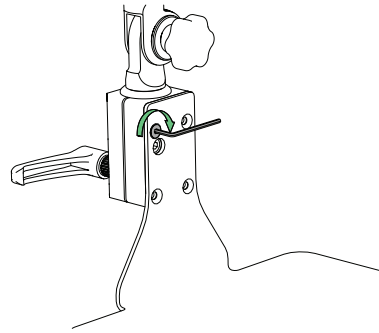
03



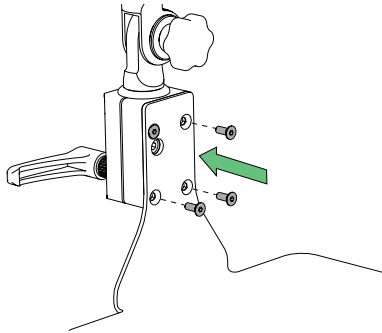
04



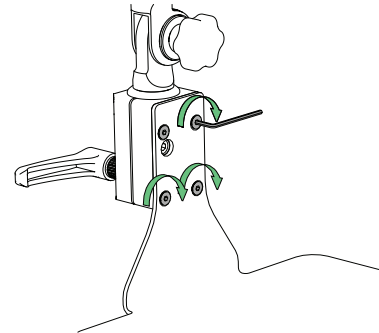
05



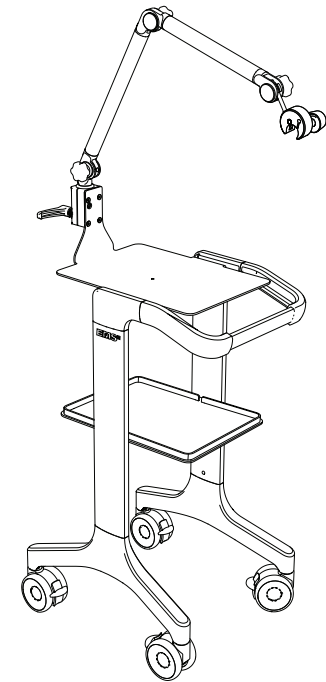
06



07



08



09



CH

## HEADQUARTERS



**NYON, SWITZERLAND**  
**ELECTRO MEDICAL SYSTEMS SA**  
Chemin de la Vuarpillière 31  
CH - 1260 Nyon  
www.ems-dental.com/en/contact  
T. +41 22 99 44 700  
F. +41 22 99 44 701



DE

## WORLDWIDE EMS AFFILIATES

**MUNICH, GERMANY**  
**EMS ELECTRO MEDICAL SYSTEMS GMBH**  
Stahlgruberring 12  
DE - 81829 München  
T +49 89 42 71 61 0  
F +49 89 42 71 61 60  
E-mail: info@ems-ch.de

FR

**FONCINE, FRANCE**  
**EMS ELECTRO MEDICAL SYSTEMS FRANCE SARL**  
32, route de Pontarlier  
FR - 39460 Foncine-le-Haut  
T +33 3 84 51 90 01  
F +33 3 84 51 94 00  
E-mail: info@ems-france.fr

ES

**MADRID, SPAIN**  
**EMS ELECTRO MEDICAL SYSTEMS ESPAÑA SLU**  
C/ Tomás Bretón, 50-52 2ª planta  
ES - 28045 Madrid  
T +34 91 528 99 89  
E-mail: info@ems-espana.com

IT

**MILANO, ITALY**  
**EMS ITALIA S.R.L**  
Via Carlo Pisacane 7 B  
IT - 20016 Pero (MI)  
T +39 02 3453 8111  
F +39 02 3453 2778  
E-mail: dental@ems-italia.it

PL

**KATOWICE, POLAND**  
**EMS POLAND SP. Z O.O.**  
Al. Rodzińskiego 188H  
PL - 40-203 Katowice  
T +48 32 4937060  
E-mail: info@ems-poland.com

SE

**STOCKHOLM, SWEDEN**  
**EMS NORDIC AB**  
Hammarby Fabriksväg 61  
SE - 120 30 Stockholm  
T +46 8 899 102  
E-mail: info@ems-nordic.se

JO

**AMMAN, JORDAN**  
**E.M.S ELECTRO MEDICAL SYSTEMS JORDAN**  
No.2 - second floor, 195 Arar (Wadi Saqra) str.  
JO - Amman

US

**DALLAS, USA**  
**EMS Corporation**  
11886 Greenville Avenue, Ste 120  
US - Dallas, Texas 75243  
T +001 972 690 8382  
F +001 972 690 8981  
E-mail: info@ems-na.com

AU

**SYDNEY, AUSTRALIA**  
**E.M.S. ELECTRO MEDICAL SYSTEMS OCEANIA**  
Unit 1, Building 4 – Sydney Corporate Park  
160 Bourke Road  
AU - Alexandria, NSW 2015  
T +61 405 095 867  
E-mail : info@ems-oceania.com

CN

**SHANGHAI, CHINA**  
医迈斯电子医疗系统贸易(上海)有限公司  
**E.M.S. ELECTRO MEDICAL SYSTEMS TRADING (SHANGHAI) CO., LTD.**  
24A, Jin Sui Mansion,  
N°379 Pudong Nan Rd.  
CN - Shanghai 200120  
T +86 21 3363 2323  
E-mail: emschina@ems-ch.com

JP

**TOKYO, JAPAN**  
**E.M.S. JAPAN BRANCH OFFICE**  
Eminent Ningyoucho Bld 6F.,  
9-18, Kobuna-cho, Nihombashi,  
JP - Chuo-ku, Tokyo, 103-0024  
T +81 (0) 3-6810-9351  
F +81 (0) 3-6810-9352  
E-mail: emsjapan@ems-ch.com

UK

**CAMBRIDGESHIRE, UNITED KINGDOM**  
**EMS UK LTD SUITE 2**  
Xenus House, Sandpiper Court  
Phoenix Park - Eaton Socon  
UK - St Neots, Cambridgeshire  
PE19 8EP  
T +44 01480 587260  
E-mail: info@ems-unitedkingdom.com

KR

**SEOUL, SOUTH KOREA**  
**EMS ELECTRO MEDICAL SYSTEMS KOREA LTD.**  
13, Beobwon-ro 8-gil, Songpa-gu  
T. +82 70 7807 2875  
E-mail: emskorea@ems-ch.com